



# LINGJACK

## 林傑

### 2 WAY CONTROLLABLE PILLAR HYDRANT

MODEL : PH-100C

#### Specification :

- Inlet : 4" PN16 FF Flange
- Outlet Control : 2 ½" Oblique Valve (Optional Valve Type Upon Request)
- Outlet : 2 ½" BS 336 Female Instantaneous Coupling
- Design Pressure : 16 bar
- Test Pressure : 25 bar
- Design Temperature : 5 Deg C to 38 Deg C
- Body Material : Ductile Iron
- Flow Rate : 802 lpm @ 2.3 bar Inlet
- K-Factor : 507
- Gross Weight : Approximate 42.5 kg

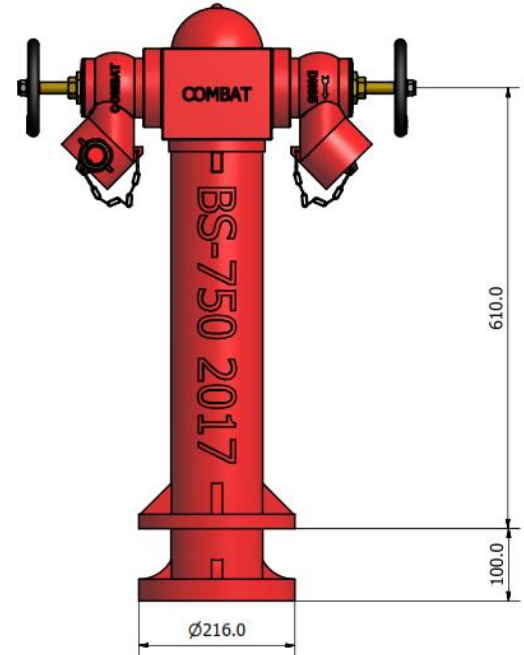
#### Features :

- Easy to Maintain
- For Private & Public Installation
- Heavy Duty
- Long Life

**Standards :** Tested to BS EN 14384 : 2005

**Approvals :** SETSCO

**Origin :** Made in Singapore



Ordering Matrix :

Com No.	Inlet Connection	Outlet Valve	Color	Approval
03031801	4" PN16 FF Flange	2 ½" Oblique	Red	SETSCO



GOOD QUALITY GREAT SERVICES

[www.lingjack.com](http://www.lingjack.com)