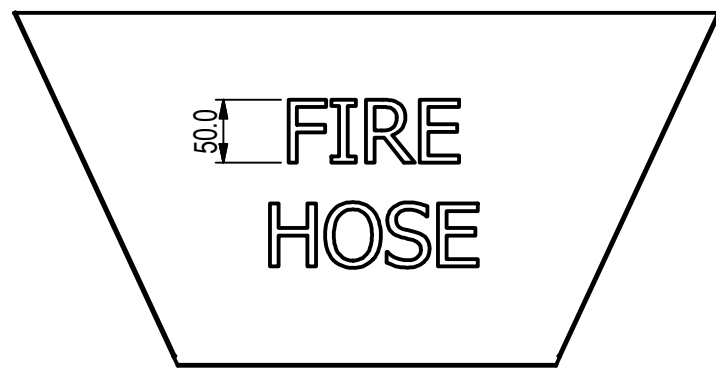
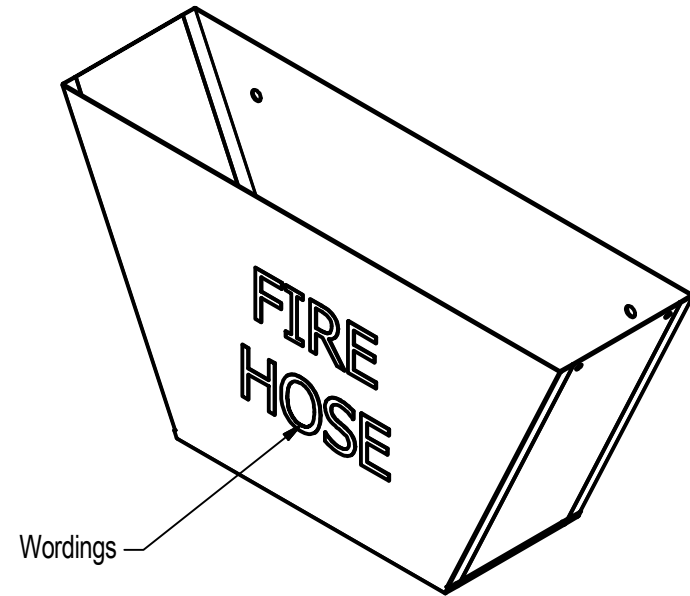
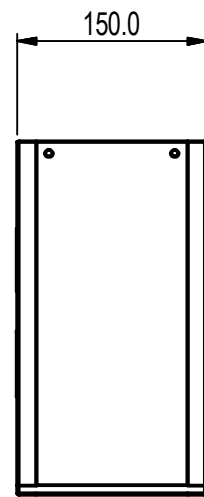


| Ordering Matrix | | | | |
|-----------------|--------|----------|------------------|-------------------------|
| Com No. | Model | Material | Wordings | Finishing |
| 70802300 | C-FH1C | EG 1.2mm | White Arial Font | Powder Coat Red RAL3000 |
| | | | | |
| | | | | |

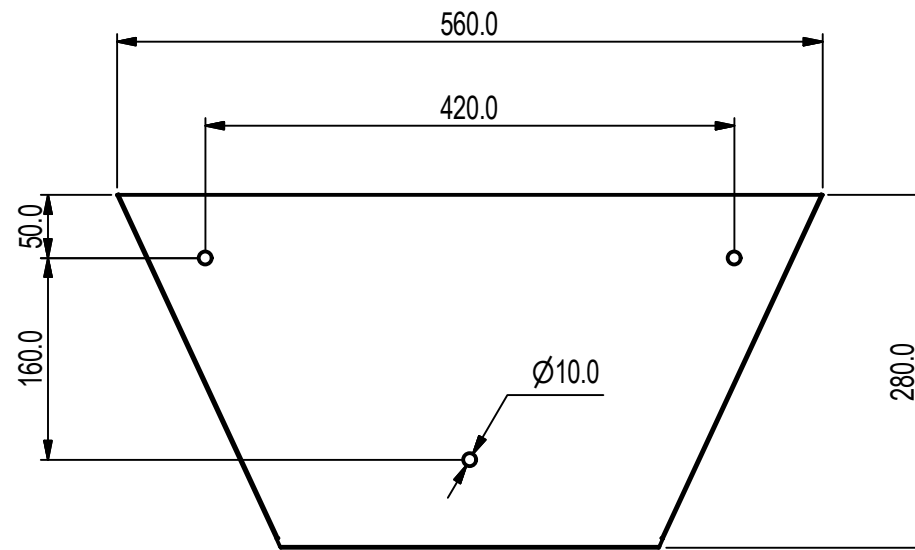
| Technical Specification | |
|-------------------------|---------------|
| Description | Specification |
| Gross Weight (Approx.) | 3.5Kg |



Front View



Side View



Back View

LINGJACK ENGINEERING WORKS PTE LTD
 NO.1 WOODLANDS TERRACE #03-01
 LINGJACK INDUSTRIAL BUILDING
 SINGAPORE 738471
 TEL:(65)6759 4163 FAX:(65)6758 7513
 E-MAIL:COMBAT@LINGJACK.COM
 WEBSITE:WWW.COMBAT.COM.SG

| | |
|--|-------------|
| Customer : - | Project : - |
| Title : Single Hose Fixed Wall Mounting Hose Cradle | |
| Drawing No. : C-FH1C | Com. No. : |
| This drawing contains proprietary information and should not be reproduced or use in any way without written permission from Lingjack Engineering Works Pte Ltd. | |
| Scale : NTS | Sheet : 1/1 |
| 3rd Angle Projection : | |

| Date | Description | Drawn | Approved | GA Rev | Pro Rev |
|----------|--|---------|----------|--------|---------|
| 09.02.18 | Semi Circle Design change to Triangle Design | Zaw Min | Lucas | 06 | F |
| 03.07.17 | Change Com No. from 70802300 to 7080230000000. All Specification remain. | Zaw Min | Lucas | 05 | E |
| 06.07.17 | Change from 2 to 3 mounting holes & Add 2x dia.6mm holes at the side | Zaw Min | Lucas | 04 | E |
| 29.10.13 | Mounting hole dimension change from 355mm to 360mm | Ken | Lucas | 03 | D |
| 11.10.13 | Add dia. 10mm drain hole at the base | Ken | Lucas | 02 | C |
| 23.07.13 | Change mounting hole dimension from 70mm to 50mm | Ken | Lucas | 01 | B |
| 23.08.12 | GA Drawing | Ken | Lucas | 00 | A |