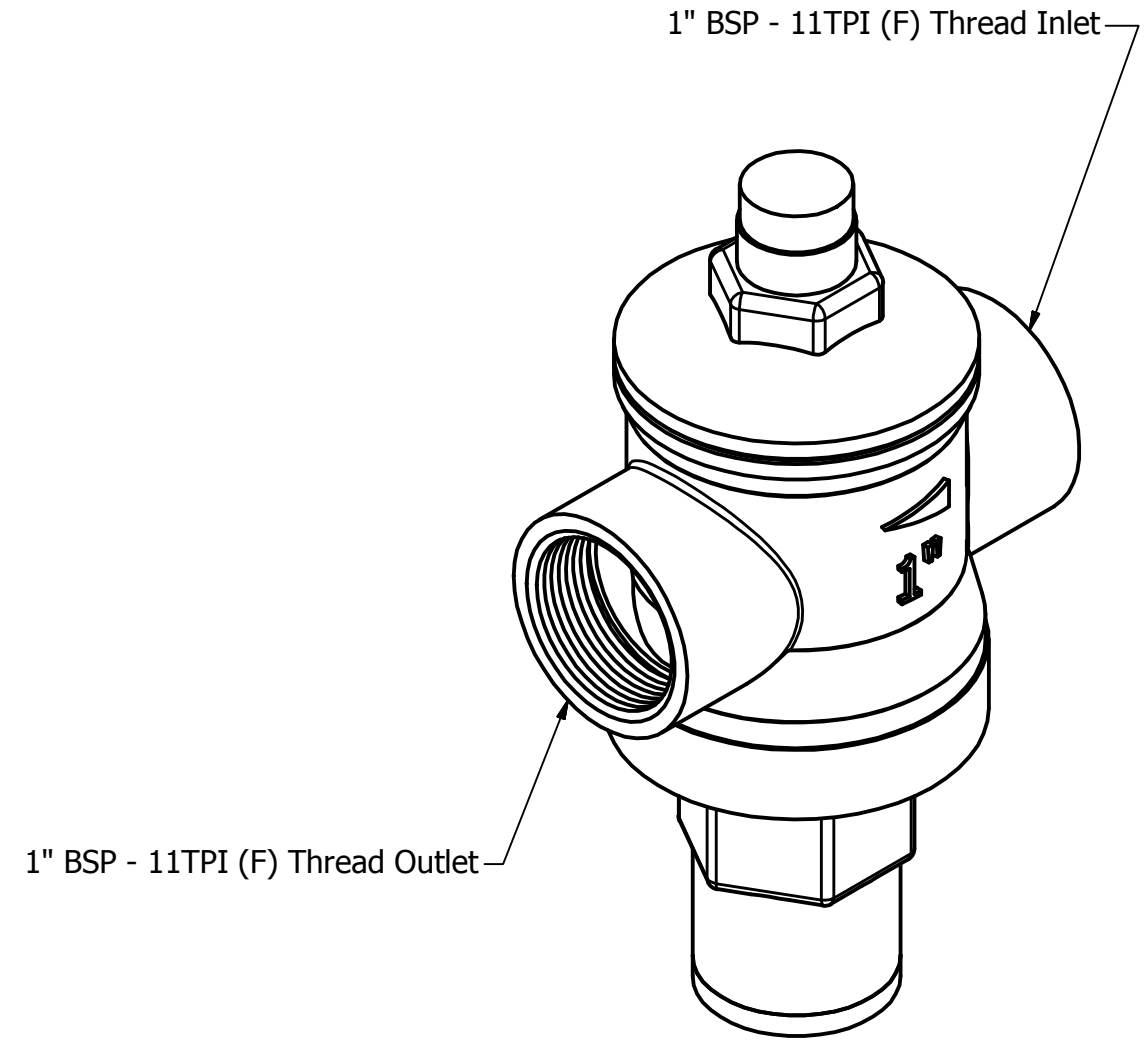
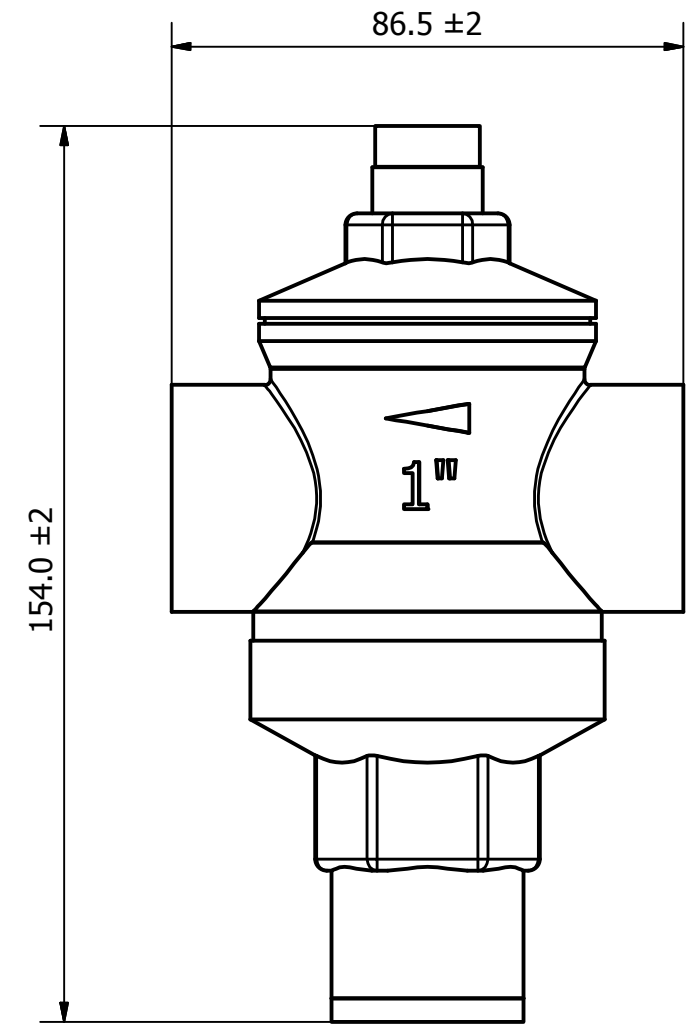


Technical Specification	
Description	Specification
Material	Nickle Chrome Plated
Design Pressure	16 bar
Test Pressure	25 bar
Outlet Pressure	1 bar to 4 bar
Flowrate	71 l/min @ 2 bar drop
Approx Weight	1.1 kg



LINGJACK ENGINEERING WORKS PTE LTD
 NO.1 WOODLANDS TERRACE #03-01
 LINGJACK INDUSTRIAL BUILDING
 SINGAPORE 738471
 TEL:(65)6759 4163 FAX:(65)6758 7513
 E-MAIL:COMBAT@LINGJACK.COM
 WEBSITE:WWW.COMBAT.COM.SG

Customer :	Project :									
Title : 1" Pressure Regulating Valve (Model : C-25PRV)										
Drawing No. : 03115000	Com. No. : 031150000000									
This drawing contains proprietary information and should not be reproduced or use in any way without written permission from Lingjack Engineering Works Pte Ltd.		Scale : NTS	Sheet : 1/1	06.03.26	GA Drawing		Zhu Yik	Lucas	00	A
		3rd Angle Projection :		Date	Description		Drawn	Approved	GA Rev	Pro Rev