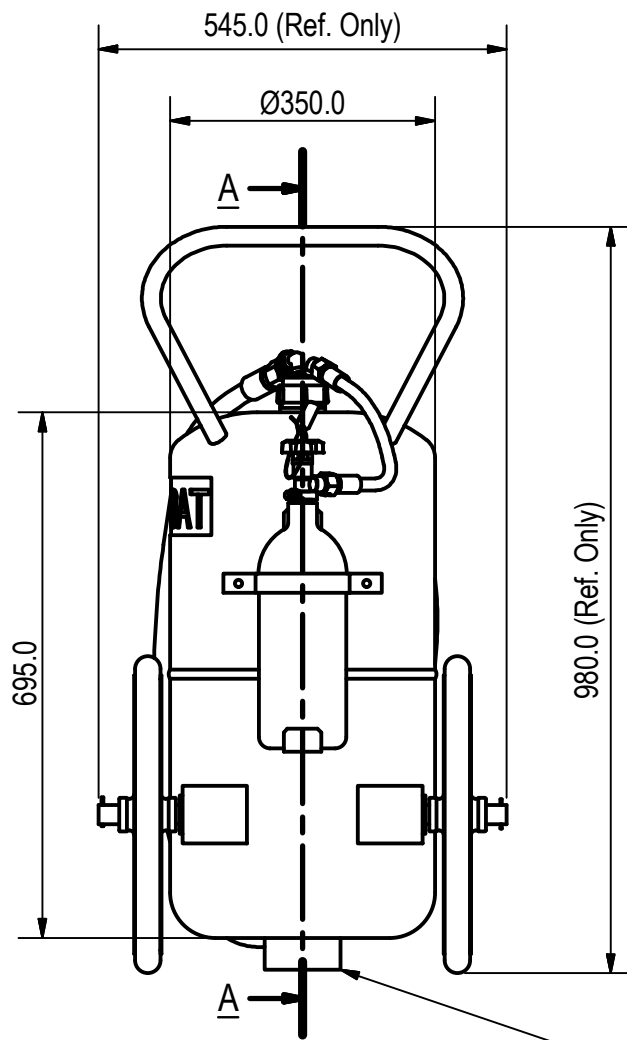
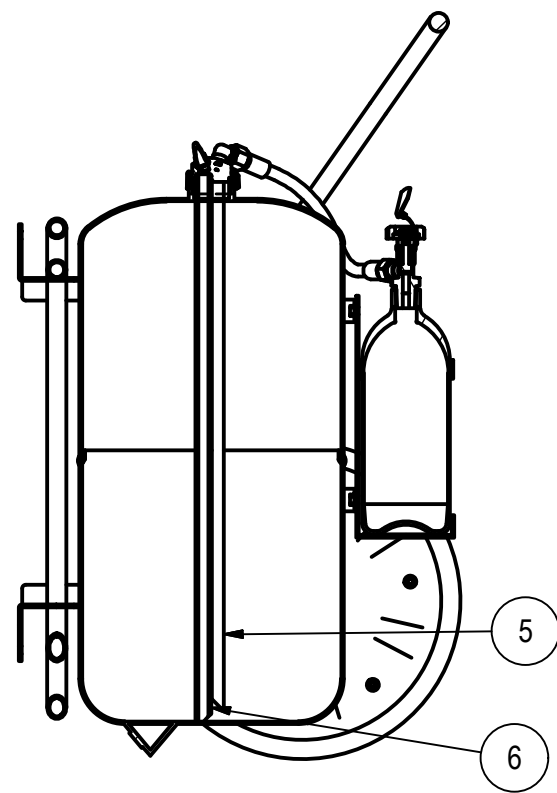


Top View



Front View



Section View A

PARTS LIST				
Item	Description	Material	Com No	Qty
1	Air Release Valve Assembly	Brass CZ121	03001706	1
2	Powder Controllable Discharge Gun Assembly	PVC	03079204	1
3	1.5KG CO2 Cartridge Complete	Cast Iron	03191501	1
4	25kg & 50kg Cartridge Holder	Steel	03237773	1
5	Discharge Tube for 50kg Cylinder	Steel	03237779	1
6	Syphone Tube for 50Kg Cylinder	PVC	03237780	1
7	50kg Cylinder With 16in Wheel	JIS3131 Hot Roll Sheet 3.6mm Thick	03067206	1
8	Heavy Duty High Pressure Hose Assembly	Rubber	03003207	1
9	0.75in Hose Assembly	Rubber	03003303	1

Technical Specification	
Description	Specification
Extinguisher Medium	ABC Dry Chemical 40% Powder
Working Temperature	-20 To 60DegC
Max. Allowable Pressure, PS	20 Bar
Operating Pressure	14 Bar
Discharge Time	70 Sec
Discharge Effective Range	10 m
Fire Rating	II B (2x21B + 233B = 275B)
Gross Weight	96 Kg

Ordering Matrix			
Com No.	Brand	Approval	Remarks
21802700 00000	COMBAT	LPCB	BS EN1866-1
21802700 00001	COMBAT	SETSCO	BS EN1866-1
21802700 00002	COMBAT	BV	MED
TBA	LINGJACK	LPCB	BS EN1866-1

Marking :  
PT 30 BAR  
PS 20 BAR  
WP 14 BAR  
LJ YYMM-001

**LINGJACK ENGINEERING WORKS PTE LTD**  
 NO.1 WOODLANDS TERRACE #03-01  
 LINGJACK INDUSTRIAL BUILDING  
 SINGAPORE 738471  
 TEL:(65)6759 4163 FAX:(65)6758 7513  
 E-MAIL:COMBAT@LINGJACK.COM  
 WEBSITE:WWW.COMBAT.COM.SG

Customer : -  
 Project : -  
 Title : 50Kg Trolley Fire Extinguisher (ABC), Cartridge (C-50ATC)  
 Drawing No. : 21802700  
 Com. No. :  
 This drawing contains proprietary information and should not be reproduced or use in any way without written permission from Lingjack Engineering Works Pte Ltd.

Scale : NTS  
 Sheet : 1/1  
 3rd Angle Projection :

21.1.26	To Include ABC 40% Powder, Rating Was IVB.	ZY	Lucas	00	B
20.07.11	Production Drawing.	Fung	Lucas	00	A
Date	Description	Drawn	Approved	GA Rev	Pro Rev