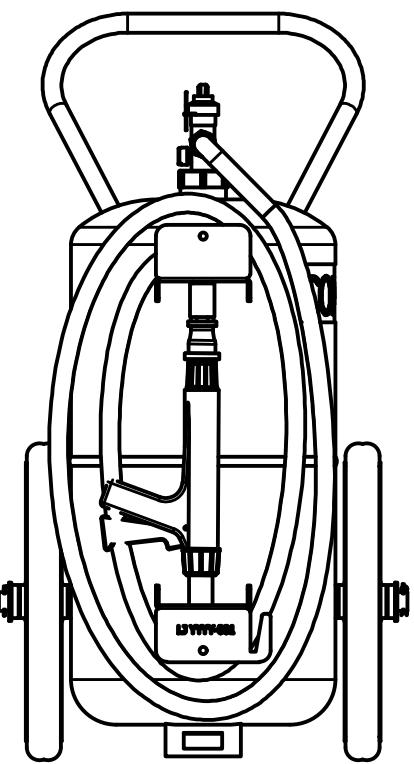
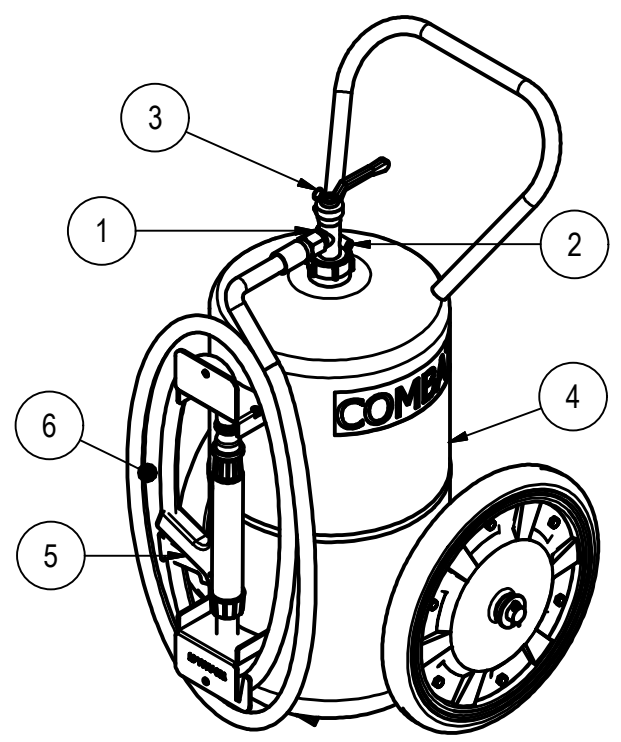
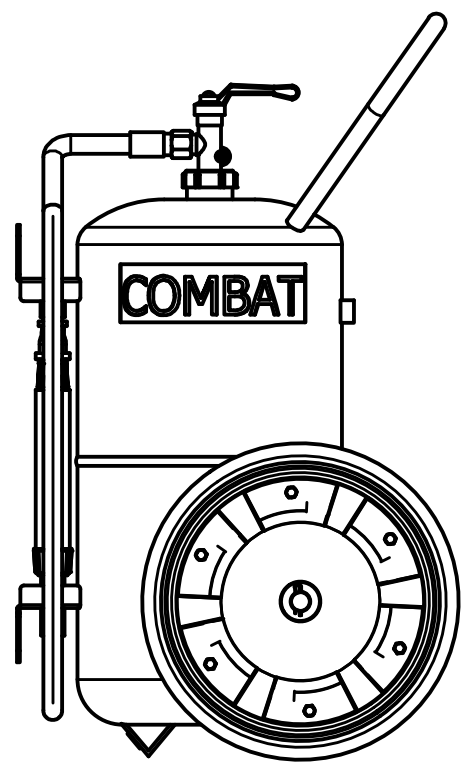


556.0 (Ref. Only)

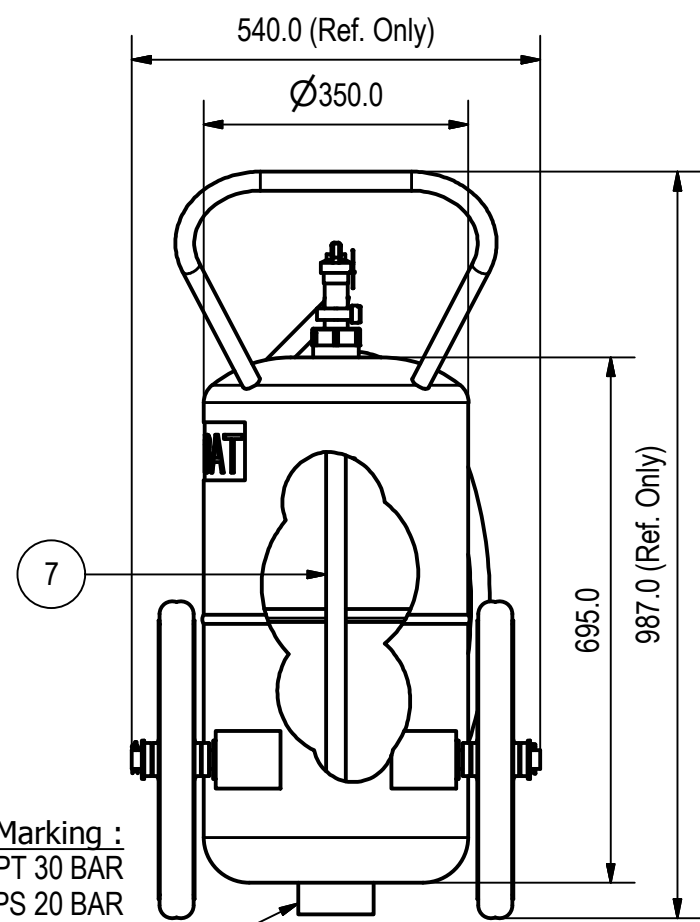
Top View



Front View



Side View



540.0 (Ref. Only)

Ø350.0

695.0
987.0 (Ref. Only)

Back View

Marking :
PT 30 BAR
PS 20 BAR
WP 14 BAR
LJ YYMM-001

PARTS LIST

Item	Description	Material	Com No	Qty
1	SP Turn Valve	Brass HTCZ120317-1	03020004	1
2	23mm Pressure Gauge	-	03000200	1
3	Iron Safety Pin	Nickel Plated Iron	03018600	1
4	50KG Cylinder With 16in Wheel	JIS3131 Hot Roll Sheet 3.6mm Thick	03067206	1
5	Powder Controllable Discharge Gun	PVC	03079204	1
6	3/4" x 6M Hose Assembly	Rubber	03003303	1
7	Syphon Tube	PVC	03104900	1

Technical Specification

Description	Specification
Extinguisher Medium	ABC Dry Chemical 40% Powder
Working Temperature	-20 To 60DegC
Max. Allowable Pressure, PS	20 Bar
Operating Pressure	14 Bar
Discharge Time	60 Sec
Discharge Effective Range	10 m
Fire Rating	II B (2x21B + 233B = 275B)
Gross Weight	90 kg

Ordering Matrix

Com No.	Brand	Approval	Remarks
21803200 00000	COMBAT	LPCB	BS EN1866-1
21803200 00001	COMBAT	SETSCO	BS EN1866-1
TBA	LINGJACK	LPCB	BS EN1866-1

LINGJACK ENGINEERING WORKS PTE LTD
 NO.1 WOODLANDS TERRACE #03-01
 LINGJACK INDUSTRIAL BUILDING
 SINGAPORE 738471
 TEL:(65)6759 4163 FAX:(65)6758 7513
 E-MAIL:COMBAT@LINGJACK.COM
 WEBSITE:WWW.COMBAT.COM.SG

Customer :-
 Project :-
 Title : 50Kg Trolley Fire Extinguisher (ABC), Stored Pressure (C-50ATP)
 Drawing No. : 21803200
 Com. No. :
 This drawing contains proprietary information and should not be reproduced or use in any way without written permission from Lingjack Engineering Works Pte Ltd.

Scale : NTS
 Sheet : 1/1
 3rd Angle Projection :

21.1.26	To Include ABC 40% Powder.	ZY	Lucas	00	B
20.07.11	Production Drawing.	Fung	Lucas	00	A
Date	Description	Drawn	Approved	GA Rev	Pro Rev