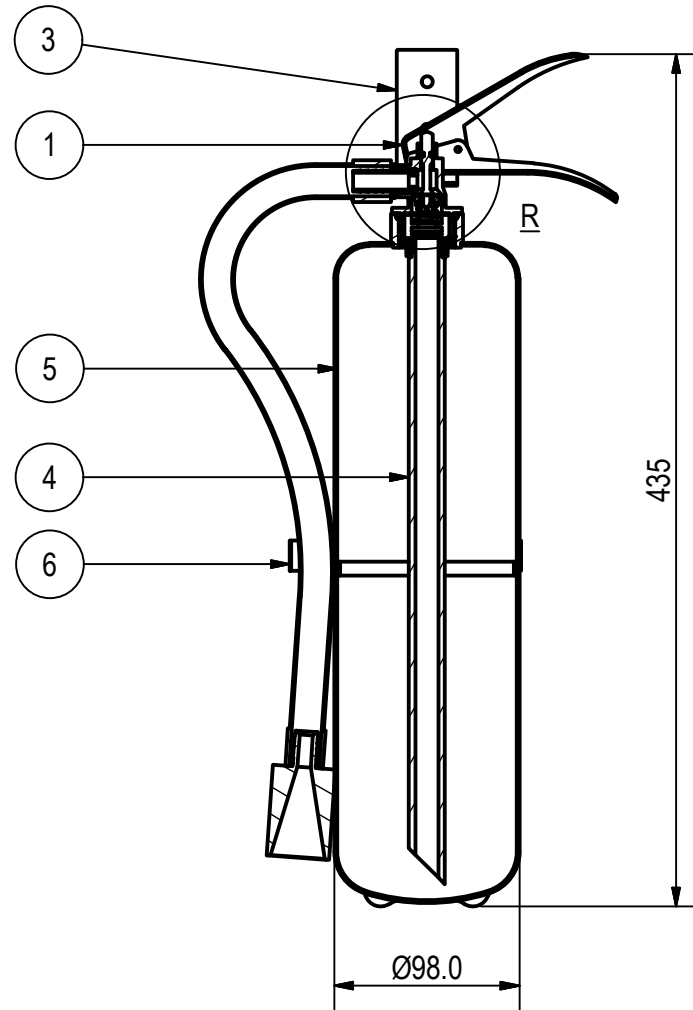
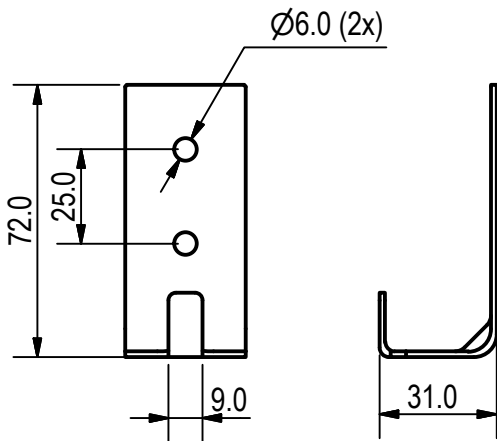


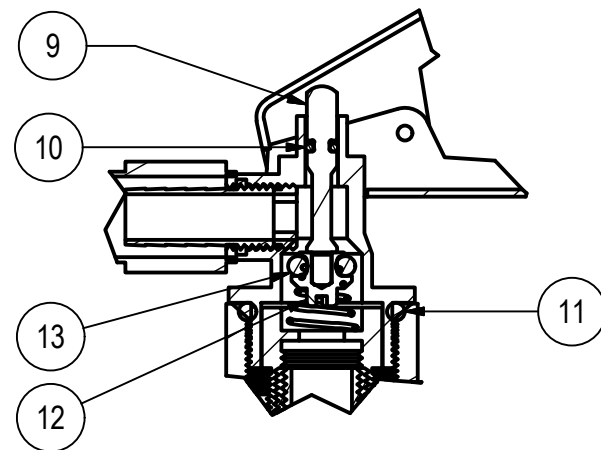
Side View



Internal View



Bracket Detail



Detail View R

Part List				
Item no	Description	Material	Com No.	Qty
1	Stored Pressure Valve For Halotron	Brass	03001000	01
2	Hose & Horn, 2Kg	Aluminium	03003101	01
3	Hock Bracket HB-28	Mild Steel	03021500	01
4	Syphon Tube ALU19x342	Aluminium	03039101	01
5	Empty Cylinder, 2Kg	JISG3141 Cold Roll Sheet	03066300	01
6	Body Belt, 2Kg	SS304	03074100	01
7	Gas, Halotron I	-	03009800	01
8	23mm Pressure Gauge for 2kg Halotron FX	-	03034500	01
9	Spindle Stem Only	Brass	03009702	01
10	ID3.2 x thk1.6	EPDM	03185500	01
11	O-Ring ID26 x thk3.5	EPDM	03007801	01
12	Spindle cap	Brass	03185402	01
13	O-Ring ID5mm x Dia4	EPDM	03185501	01

Technical Specification	
Description	Specification
Extinguisher Medium	Halotron
Working Pressure	7 Bar
Maximum Allowable Pressure	18 Bar
Test Pressure	27 Bar @ 30sec
Fire rating	5A/34B
Gross Weight (Approx.)	3.9 KG

Ordering Matrix		
Com No.	Specification	Approval
20800100	SS EN3-7	TUV



LINGJACK ENGINEERING WORKS PTE LTD

NO.1 WOODLANDS TERRACE #03-01
LINGJACK INDUSTRIAL BUILDING
SINGAPORE 738471
TEL:(65)6759 4163 FAX:(65)6758 7513
E-MAIL:COMBAT@LINGJACK.COM
WEBSITE:WWW.COMBAT.COM.SG

Customer : -	Project : -				
Title : Halotron Portable Fire Ext, Stored Pressure 2KG (C-2HSE)					
Drawing No. : 20800100	Com. No. :				
This drawing contains proprietary information and should not be reproduced or use in any way without written permission from Lingjack Engineering Works Pte Ltd.		Scale : NTS	Sheet : 1/1	7.12.11	Production Drawing.
		3rd Angle Projection :		Date	Description
