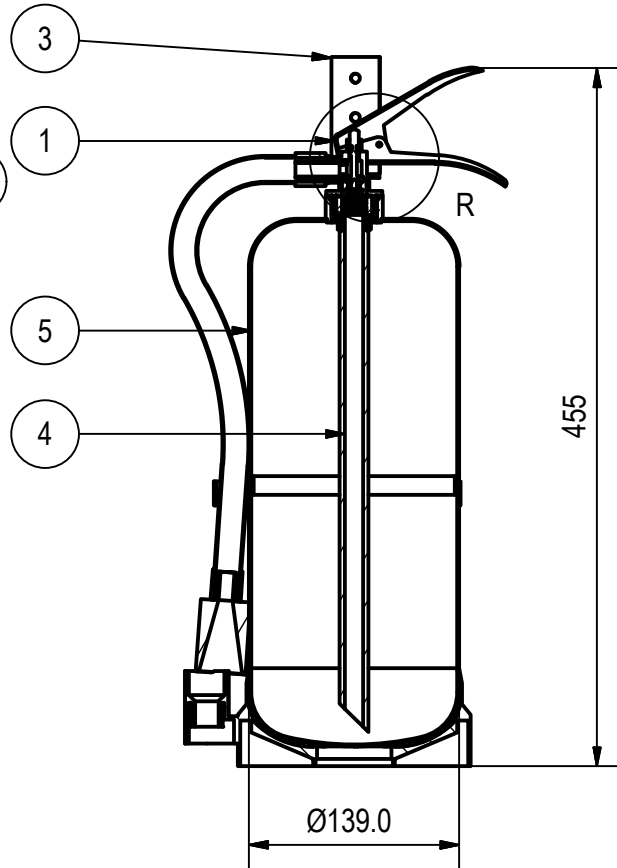
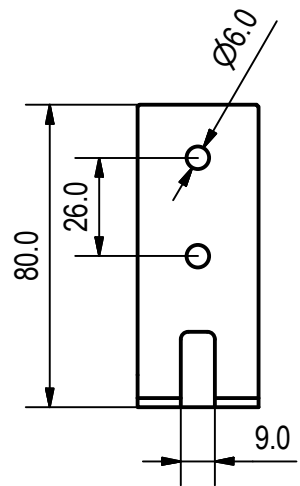


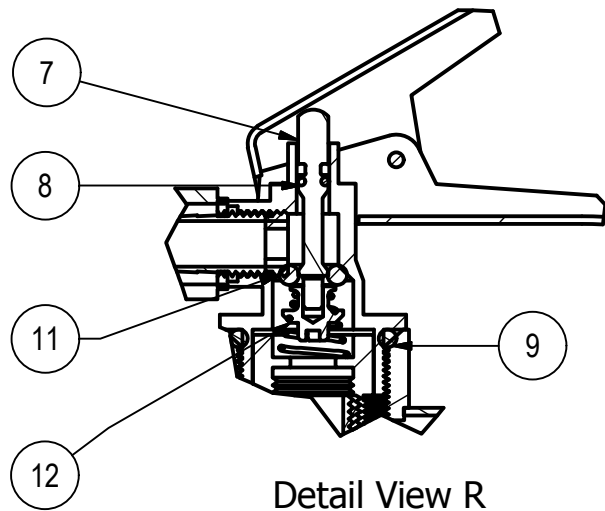
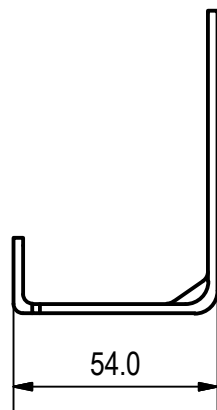
Side View



Internal View



Bracket Detail



Detail View R

Part List

Column	Column 2	Material	Com No.	Qty
1	Stored Pressure Valve For Halotron	Brass	03001000	1
2	Hose & Horn, 4Kg	Aluminium	03003103	1
3	Hook Bracket HB-54	Mild Steel	03021600	1
4	Syphon Tube ALU19x342	Aluminium	03039101	1
5	Empty Cylinder,4Kg	JISG3141 Cold Roll Sheet	03097800	1
6	Gas, Halotron I	-	03009800	1
7	Spindle Stem Only	Brass	03009702	1
8	ID3.2 x thk1.6	EPDM	03185500	1
9	O-Ring ID26 x thk3.5	EPDM	03007801	1
10	23mm Pressure Gauge for 4/6kg Halotron FX	-	03034600	1
11	O-Ring ID5mm x Dia4	EPDM	03185501	1
12	Spindle cap	Brass	03185402	1

Technical Specification

Description	Specification
Extinguisher Medium	Halotron
Working Pressure	9 Bar
Maximum Allowable Pressure	18 Bar
Test Pressure	27 Bar @ 30sec
Fire rating	8A/55B
Gross Weight (Approx.)	6.7 KG

Ordering Matrix

Com No.	Specification	Approval
20800204	SS EN3-7	TUV



**LINGJACK ENGINEERING WORKS PTE LTD**  
 NO.1 WOODLANDS TERRACE #03-01  
 LINGJACK INDUSTRIAL BUILDING  
 SINGAPORE 738471  
 TEL:(65)6759 4163 FAX:(65)6758 7513  
 E-MAIL:COMBAT@LINGJACK.COM  
 WEBSITE:WWW.COMBAT.COM.SG

Customer : -  
 Project : -  
 Title : Halotron Portable Fire Ext, Stored Pressure 4KG (C-4HSE)  
 Drawing No. : 20800204  
 Com. No. :  
 This drawing contains proprietary information and should not be reproduced or use in any way without written permission from Lingjack Engineering Works Pte Ltd.

Scale : NTS  
 Sheet : 1/1  
 3rd Angle Projection :

Date : 7.12.11

Description : Production Drawing.

Ken Lucas 00 A  
 Drawn Approved GA Rev Pro Rev