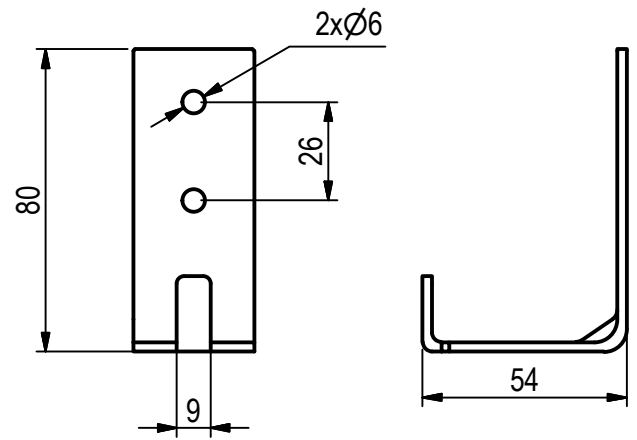


Side View

Internal View



Bracket Detail

Parts List				
Item	Description	Specification	Com No.	Qty.
1	Pressure Gauge	Working Temperature Range : -20 deg C To 60 deg C	03000200	1
2	Hook Bracket	Material : 1.5mm Mild Steel Finishing : Chrome Plated	03021600	1
3	Artwork	Silkscreen	NA	1
4	Valve Assembly	Model 06E20	03013100 / 03013103	1
5	Medium	40% ABC Dry Chemical Powder	03024700	4Kg
6	Syphon Tube	Material : UPVC Plastic	03036800	1
7	Empty Cylinder	Material : JISG3141 Cold Roll Sheet, 1.5mm Thick Finishing : Red Epoxy Powder Coated	03097800	1
8	Hose And Horn	Material (Hose) : Black Braided PVC Material (Nozzle) : UPVC Plastic	03002501	1
9	Plastic Skirt	Material : UPVC Plastic	03065700	1

Technical Specification	
Description	Specification
Working Temperature	-20 deg C To 60 deg C
Working Pressure	14 Bar
Test Pressure, PT	27 Bar @ 30 Sec
Maximum Allowable Pressure, PS	18 Bar
Fire Rating	21A/144B
Gross Weight	6.58 Kg

Ordering Matrix			
Com No.	Brand	Approval	Remarks
20801321 00000	COMBAT	LPCB	BS EN3
20801302 00000	COMBAT	TUV	SS EN3

**LINGJACK ENGINEERING WORKS PTE LTD**  
 NO.1 WOODLANDS TERRACE #03-01  
 LINGJACK INDUSTRIAL BUILDING  
 SINGAPORE 738471  
 TEL:(65)6759 4163 FAX:(65)6758 7513  
 E-MAIL:COMBAT@LINGJACK.COM  
 WEBSITE:WWW.COMBAT.COM.SG

Customer :-  
 Project :-  
 Title : DCP ABC Portable Fire Extinguisher, Stored Pressure 4KG (C-4ASE)  
 Drawing No. : 20801321  
 Com. No. :  
 This drawing contains proprietary information and should not be reproduced or use in any way without written permission from Lingjack Engineering Works Pte Ltd.

Scale : NTS  
 Sheet : 1/1  
 3rd Angle Projection :

10.02.09	Approved Drawing	TanCP	Lucas	00	A
Date	Description	Drawn	Approved	GA Rev	Pro Rev