



LINGJACK
林傑

PILLAR HYDRANT

3 WAY NON CONTROLLABLE PILLAR HYDRANT

MODEL : PH-150

Specification :

- Inlet : 6" PN 16
- Outlet : 2 x 2 ½" LVT Male Thread
- Pumper : 4" Connection
- Design Pressure : 16 bar
- Test Pressure : 25 bar
- Body Material : Cast Iron
- Flow Rate : 38 l/sec
- Gross Weight : 164 kg

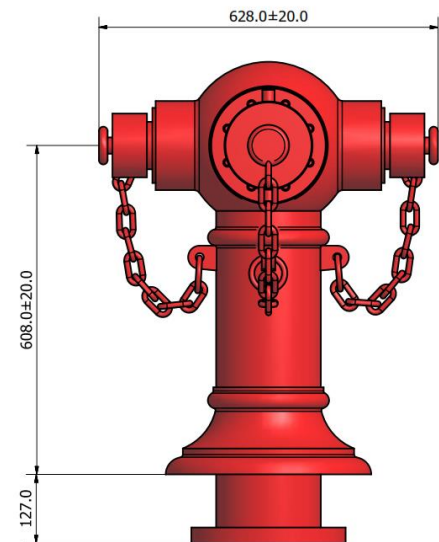
Features :

- Easy to Maintain
- For Private & Public Installation
- Heavy Duty
- Long Life

Standards : Compliance to BS EN 14387 : 2005

Approvals : ISO 9001 Quality Management

Origin : Made in Singapore



GOOD QUALITY GREAT SERVICES

www.lingjack.com