



LINGJACK

林傑

4 WAY PILLAR HYDRANT

MODEL : PH-150CS / PH-150CSP

Specification :

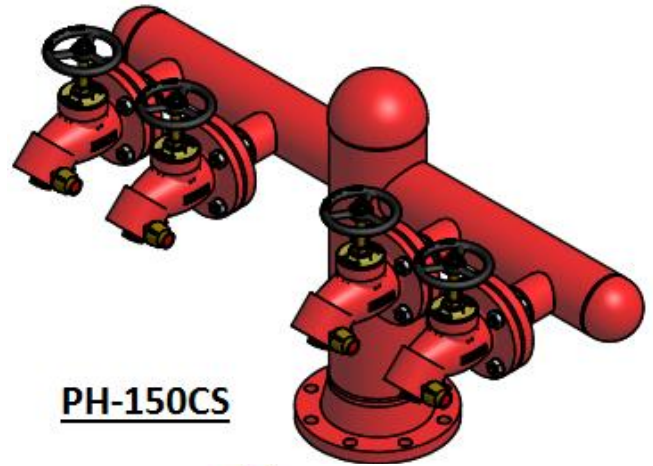
- Inlet : 6" ANSI #150 FF Flange
(Optional Inlet Size Type Upon Request)
- Outlet Control : 2 1/2" Bib Nose Valve
(Optional Valve Type Upon Request)
- Outlet Connection : 2 1/2" BS336 Instantaneous Female
(Optional Connection Type Upon Request)
- Design Pressure : 16 bar
- Body Test Pressure : 25 bar
- Body Material : Carbon Steel (Sch 40)

Features :

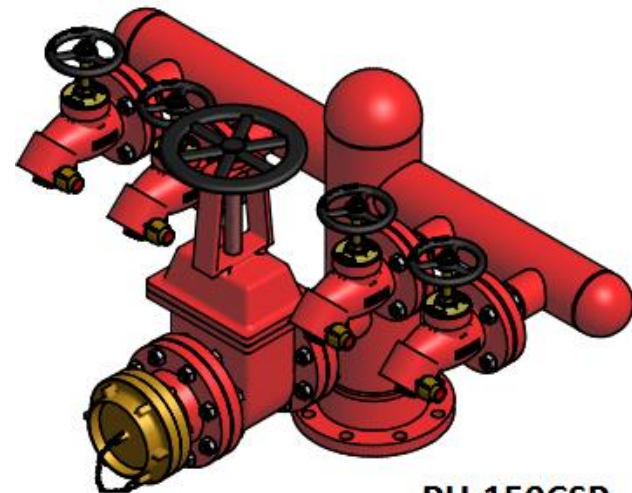
- Red Color To RAL 3001
- External 2 Layer Polyurethane Marine Paint Coating
- Easy to Maintain
- For Private & Public Installation

Standards : Compliance to BS EN 14384 : 2005

Origin : Made in Singapore



PH-150CS



PH-150CSP

Ordering Matrix :

Com No.	Model	Weight	Remarks
90803500	PH-150CS	Approximate 100 Kg	-
90803501	PH-150CSP	Approximate 165 Kg	Pumper Inlet Cw 4" OS&Y Gate Valve And 5" Storz Connection With Blank Cap.

GOOD QUALITY GREAT SERVICES

www.lingjack.com